

# USER MANUAL



## Jazz GB2 Video Door Entry System Kit 2-wire installation (Proximity Reader)



**INTRODUCTION**

First of all, we thank and congratulate you for purchasing this product. Our commitment to achieving the satisfaction of customers like you is manifested through our ISO-9001 certification and the manufacture of products like the one you have just purchased. Its advanced technology and strict quality control will ensure that customers and users enjoy the numerous features that this device offers. To get the most out of them and ensure proper operation from day one, we recommend that you read this instruction manual.

**CONTENTS**

Introduction.....2

Contents.....2

Set-up warnings.....2

Safety precautions.....3

Characteristics and functioning of the system.....3

Description of JAZZ surface panel (with proximity reader).....4

Exploded view of the parts of the panel.....5

Description of the TK3401/GB2 proximity access key kit.....5

Door panel.....

    Location of the door panel.....5

    Removing the metal front.....6

    Positioning the door panel.....6

    Wiring the door panel.....6

    Codes assigned to the door panel call buttons.....7

    Description of the DIP switch.....7

    Description of the configuration jumper.....8

    Description of the illumination LEDs (low light conditions).....8

    Description of the visual signals on the door panel.....8

    Setting the door panel communication volume.....8

    Setting ringtone operating mode.....9

    Setting door panel mode with or without shield installed.....9

    Setting contact mode for CV-/CV+ (lock release) and C1/NA1 (auxiliary device).....9

    Setting the activation time for CV-/CV+ (lock release) and C1/NA1 (auxiliary device).....10

    Setting card reader illumination operating mode.....10

    Setting door panel illumination LED operating mode.....10

    Setting the door panel address.....11

    Positioning the nameplate label.....11

    Positioning the button identification labels.....11

    Managing the access keys (proximity reader).....12

    Closing the door panel.....13

Installing the power supply unit (FA-GB2/A) and lock release.....14

Wiring diagrams with the PENTHA monitor.....15-20

Connection diagrams for up to 4 access panels.....21

Connection diagrams with AC lock release, 2nd AC lock release or automatic gate.....22

Notes.....23

**SET-UP WARNINGS**

- Do not overtighten the screws on the power supply connector.
- **Always disconnect the power supply** before installing or making modifications to the devices.
- The fitting and handling of these devices must be carried out by **authorised personnel**.
- The wiring must run at least **40cm away from any other wiring**.
- Before connecting the device to the mains, check the connections between the door panel, power supply unit, distributors, camera interface, GSM interface and monitors.
- Use the Golmar **RAP-2150** cable (2x1mm<sup>2</sup>).
- Always follow the instructions contained in this manual.







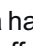

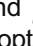


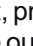
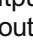

## SAFETY PRECAUTIONS

- **Always disconnect the power supply** before installing or making modifications to the devices.
- The fitting and handling of these devices must be carried out by **authorised personnel**.
- The wiring must run at least **40 cm away from any other wiring**.
- On the power supply unit:
  - ⌚ Do not overtighten the screws on the connector.
  - ⌚ Install the power supply unit in a dry protected location free from the risk of dripping or splashing water.
  - ⌚ Avoid locations that are humid, dusty or near heat sources.
  - ⌚ Ensure that the air vents are free from obstruction so that air can circulate freely.
  - ⌚ To avoid damage, the power supply unit must be firmly secured in place.
  - ⌚ To prevent electric shock, do not remove the cover or handle the wires connected to the terminals.

## CHARACTERISTICS

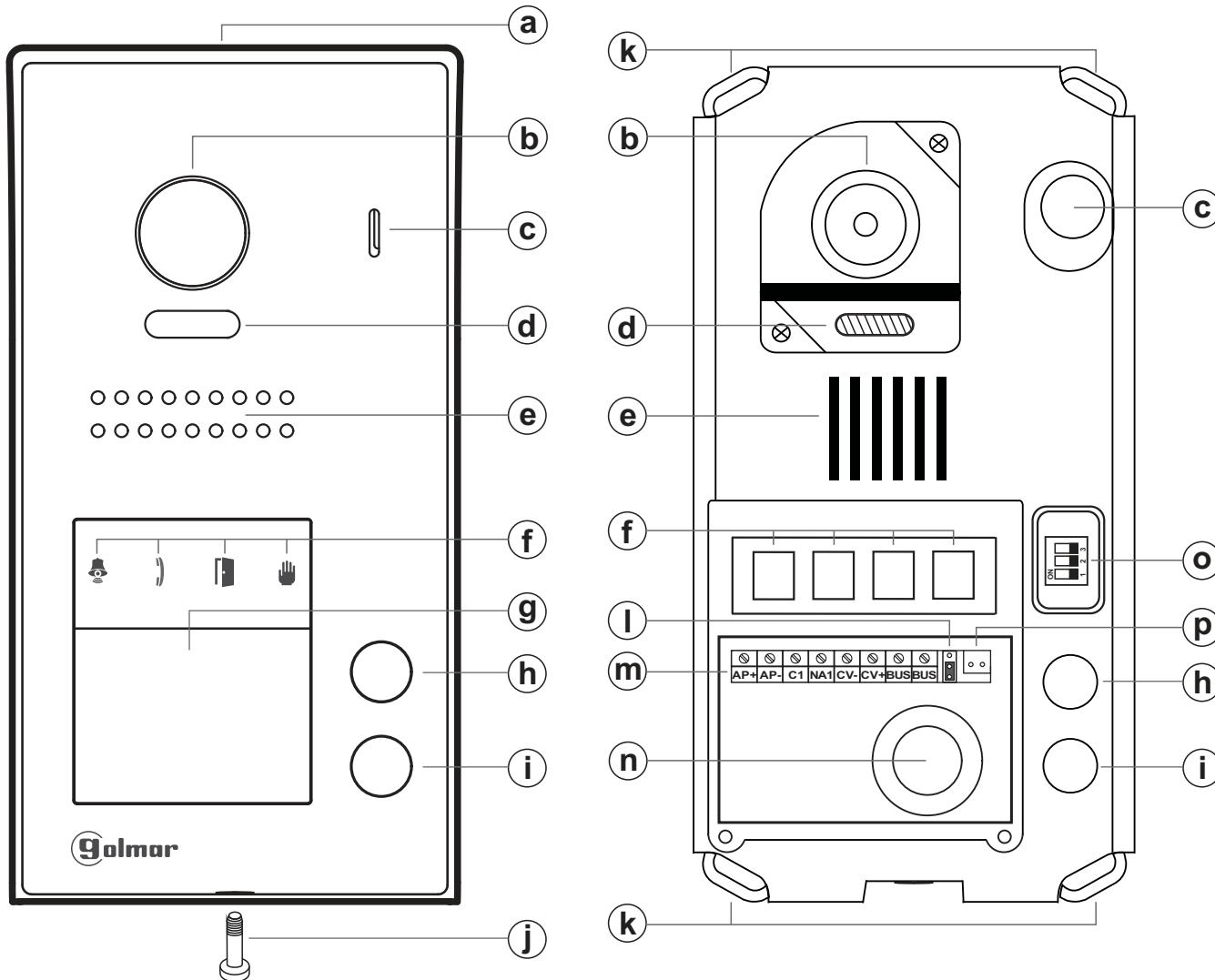
- Video door entry system with simplified wiring (non-polarised 2-wire bus).
- Up to 4 access panels (DP-GB2A distributor required for more than one access panel) per installation.
- Up to 2 apartments per installation (JAZZ/2RF 2-button surface panel required).
- Maximum 4 Pentha monitors per installation.
- In installations with 1 apartment, maximum 4 Pentha monitors.
- In installations with 2 apartments, maximum 4 Pentha monitors.
  - Combinations:
    - ⌚ 1 monitor in one apartment and 3 monitors in the other apartment.
    - ⌚ 2 monitors in each apartment.
- Visual signals on the door panel for people with impaired hearing (indicating call process, communication, door open and channel busy).
- Proximity key reader for door opening (output 'CV-' and 'CV+' on the door panel).
- Door opening and auxiliary device activated for 5 seconds (configurable).
- DC lock release.
- Potential-free contact for activation of auxiliary devices (2nd AC lock release, gate, etc.); do not exceed values of 12Vdc/1A between terminals 'C1' and 'NA1' on the door panel.
- Input for exterior door opening button (output 'CV-' and 'CV+' of the door panel).
- Confirmation tone when the call button is pressed.
- DIP switches to configure door panel address, call mode, door panel with/without shield, type of contact/time for lock release and auxiliary device output, card reader illumination mode, LED function mode (low light conditions) and create new proximity cards with 'Master Add' and 'Master Delete'.
- Maximum distance between the power supply and the furthest door panel: 65m with a cross-section of 1mm<sup>2</sup>.
- Maximum distance between the power supply and the last distributor: 60m with a cross-section of 1mm<sup>2</sup>.
- Maximum distance between distributor and monitor: 30m with a cross-section of 1mm<sup>2</sup>.

## SYSTEM OPERATION

- To make a call, the visitor must press the button of the apartment; an audible sound indicates that the call is being made and LED  will turn on. At this moment, the apartment's monitors receive the call. If another apartment is called by mistake, press the button for the correct apartment and the first call will be cancelled.
  - In systems with several access doors, the other door panel(s) will be automatically disconnected. If another visitor tries to call, a number of telephone tones will be heard to indicate that the system is busy and LED  will illuminate.
  - The call lasts for 40 seconds. The image appears on the monitor (with code 0 'apartment 1' or code 16 if the call is in 'apartment 2') when receiving the call without the visitor knowing. If the call is not answered within 40 seconds, LED  will turn off and the channel will be freed.
  - To establish communication, press option  on the screen of the master monitor or the **Golmar** logo on the front of any slave monitor in the apartment, and LED  on the door panel will illuminate. If the monitor is a PENTHA GB2/H with icon  on the front, make sure that the hearing aid is between 15 and 25 cm away from the monitor to ensure maximum audio quality during communication with the door panel.
  - Communication will last for one and a half minutes or until option  on the screen is pressed. When communication has finished, LEDs  and  will turn off and the channel will be freed.
  - To open the door, press option  on the screen during the call or communication processes: one press will activate the lock release for 5 seconds and LED  will also illuminate for 5 seconds.
  - To activate the auxiliary device output, press option  on the screen during the call or communication processes: one press will activate the auxiliary device output for 5 seconds and LED  will also illuminate for 5 seconds.
  - **Proximity reader:** To open the door without making a call, hold the access key to the proximity reader of the door panel, the door will be activated for 5 seconds and LED  will also illuminate for 5 seconds.
- Note: Access keys configured from factory (see p. 5).**
- For a description of the functioning and setup of the Pentha monitor, see the monitor's user manual.

DESCRIPTION OF THE JAZZ SURFACE PANEL

**Description of Jazz surface panel (with proximity reader):**



- a. Shield.
- b. Colour television camera.
- c. Microphone.
- d. LEDs (activation with ambient light).
- e. Speaker.
- f. LEDs (visual signals for people with impaired hearing).
- g. Nameplate label with proximity card reader.
- h. Call button apartment 2.  
(2-button door panel model only).

- i. Call button apartment 1.
- j. Metal front fixing screw (x1).
- k. Holes for fixing to wall (x4).
- l. Do not use (internal use).
- m. Connection terminals.
- n. Wiring entry.
- o. DIP switch.
- p. Proximity reader connection contacts.

**Connection terminals:**

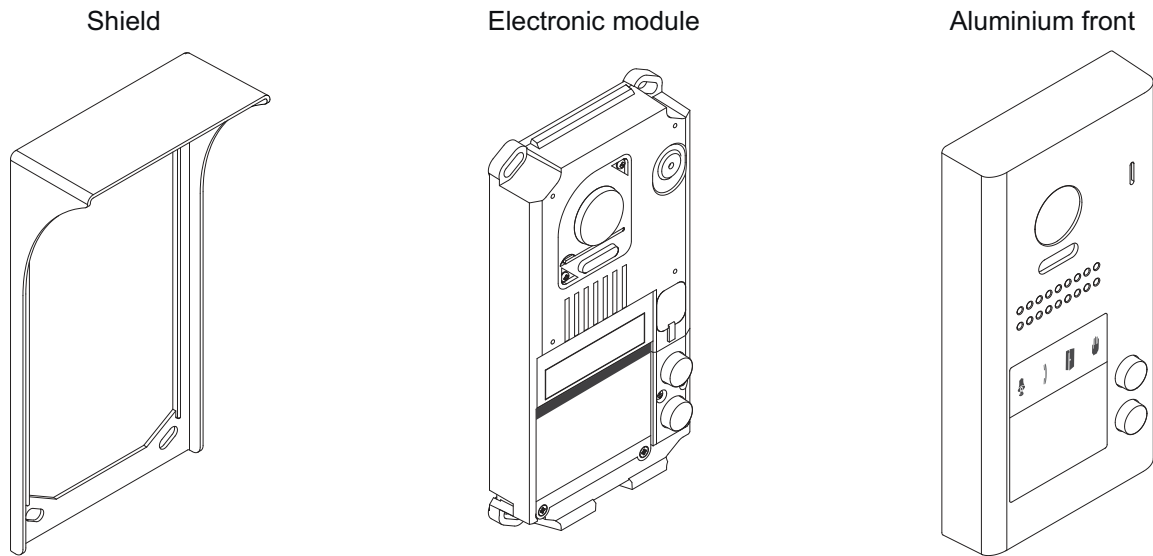
- AP +, AP-: Input for exterior door opening button (CV-, CV+).
- C1 : Contact 'C' for auxiliary device (2nd AC lock release, gate, etc.).
- NA1 : Contact 'N.O.' for auxiliary device (2nd AC lock release, gate, etc.).
- CV-, CV+: S12Vdc output for Golmar DC electric lock.
- BUS : Communication BUS (non-polarised).
- BUS : Communication BUS (non-polarised).

**Note:** See wiring diagrams for connections (pp. 15-22).

**DESCRIPTION OF THE JAZZ SURFACE PANEL**

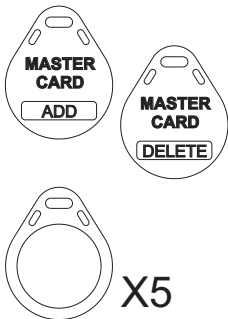
**Description of the door panel:**

Exploded view of the parts of the panel.



- JAZZ J5110/PENTHA 1P KIT (Code 11500243).
- JAZZ/1RF SURFACE PANEL (Code 11525551).
- JAZZ/2RF SURFACE PANEL (Code 11525552).

**Description of the TK3401/GB2 proximity access key kit:**



Management keys for adding/deleting residents' keys using the proximity reader. Supplied with the video door entry kit.

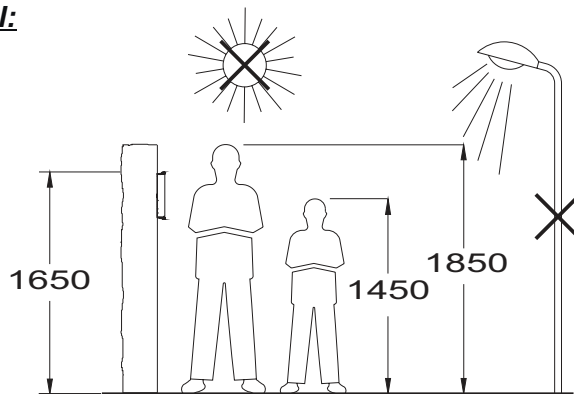
- MASTER CARD ADD:** Key for adding residents' proximity keys.
- MASTER CARD DELETE:** Key for deleting residents' proximity keys.

TAGKEY residents' access keys (Code 20740427).  
**Note: Access keys configured from factory.**

**Note:** To add/delete proximity keys, follow the instructions on pp. 12.

**INSTALLATION OF THE DOOR PANEL**

**Location of the door panel:**



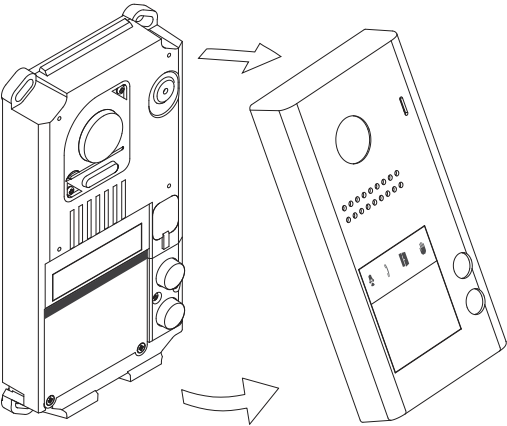
Locate the top of the door panel at a height of 1.65m.

The door panel has been designed to withstand diverse environmental conditions. It is however advisable to take extra precautions to prolong its service life, such as using the shield supplied or locating it in a covered area. For optimum image quality, avoid direct contact from light sources (sunshine, street lights, etc.).

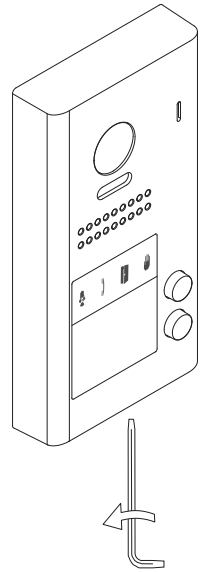
INSTALLATION OF THE DOOR PANEL

**Removing the metal front:**

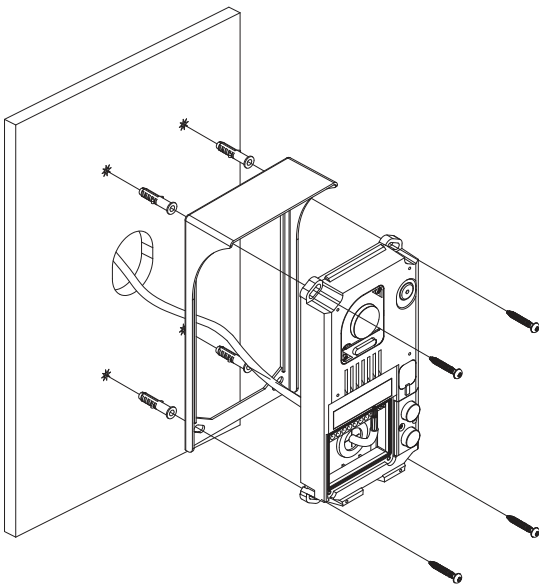
Remove the screw at the bottom of the door panel using the Allen key supplied with the product.



Remove the metal front as shown in the drawing.



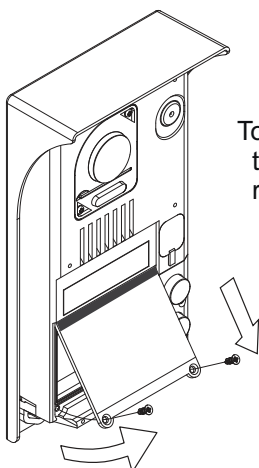
**Positioning the door panel:**



Present the shield and the electronic module to the wall, placing the top of the module at a height of 1.65m from the ground, and pass the wiring through the cable entry.

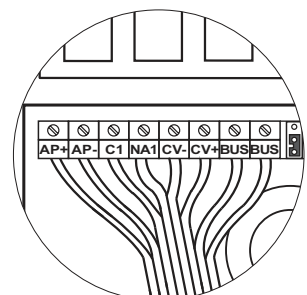
Make 4 x 6mm diameter holes, two located at the top of the module and the other two at the bottom, and fix the shield and electronic module to the wall using the plugs and screws supplied. **Important:** The distance between the top of the electronic module and the shield should be 7mm, so that the metal front can be correctly positioned when closing the door panel.

**Wiring the door panel:**



To access the connection terminals, remove the card reader.

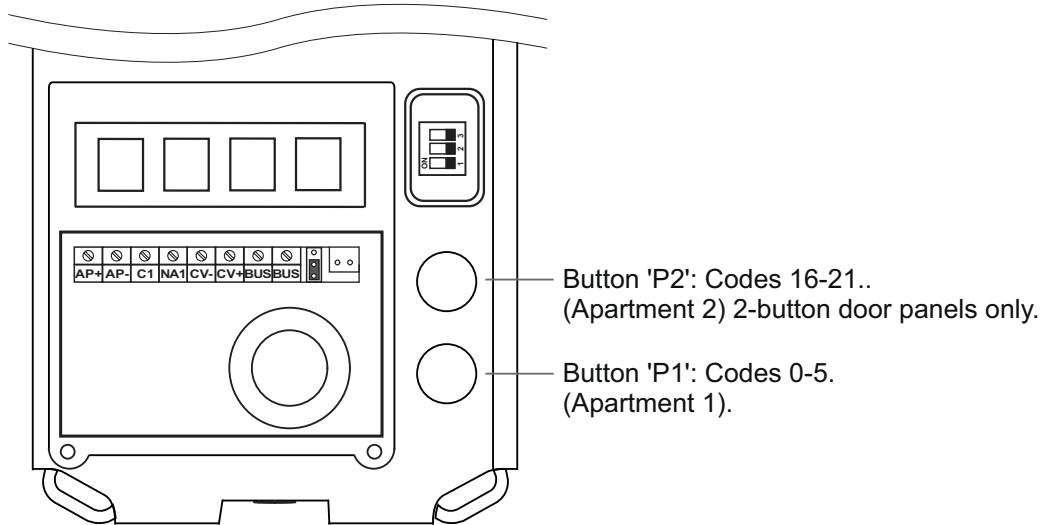
Then connect the wiring to the connector strip of the electronic module, following the instructions in the wiring diagrams.





**INSTALLATION OF THE DOOR PANEL**

**Codes assigned to the door panel call buttons:**



The sound module's P1 and P2 buttons are assigned with factory codes.

- **Apartment 1, button 'P1':** Enables codes 0-5 to be assigned to the monitor.

Monitors in this apartment must be set with codes in order of allocation from 0 to 5.

When button 'P1' on the door panel is pressed, all of the monitors in apartment 1 will receive the call and only the monitor assigned with code 0 will show the door panel image. If the call is answered from any other monitor in the apartment, the image on the monitor assigned with code 0 will disappear and audio and video communication will be established with the door panel.

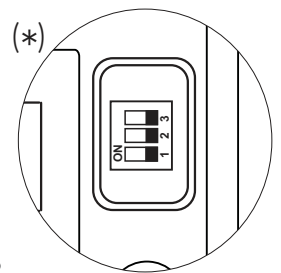
- **Apartment 2, button 'P2':** Enables codes 16-21 to be assigned (2-button door panel only).

Monitors in this apartment must be set with codes in order of allocation from 16 to 21.

When button 'P2' on the door panel is pressed, all of the monitors in apartment 2 will receive the call and only the monitor assigned with code 16 will show the door panel image. If the call is answered from any other monitor in the apartment, the image on the monitor assigned with code 0 will disappear and audio and video communication will be established with the door panel.

**Description of the configuration DIP switch:**

The configuration DIP switch is located on the right side of the electronic module, accessible by opening the door panel (remove the protective silicone cover).



**1. To select the address of the door panel (DIP 3 must always be OFF):**

- (\*) Door panel address: (DIP 3 always OFF).  
 DIP switches: 1 and 2 OFF (address 1), 1 ON and 2 OFF (address 2), 1 OFF and 2 ON (address 3), 1 and 2 ON (address 4).

**2. To configure the door panel (DIP 3 must always be ON):**

With DIP 1 and DIP 2 OFF (DIP 3 always ON), the following can be configured: **See pp. 9-10.**  
 -With button 'P1', ringtone operating mode during a call process.  
 -With button 'P2', whether the door panel is installed with or without shield.

With DIP 1 ON and DIP 2 OFF (DIP 3 always ON), the following can be configured: **See pp. 9-10.**  
 -With button 'P1', lock release output 'CV-' and 'CV+', whether N.O. (factory setting) or N.C.  
 -With button 'P2', activation time of lock release and auxiliary device outputs.

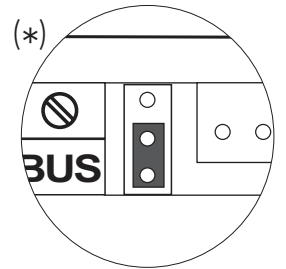
With DIP 1 OFF and DIP 2 ON (DIP 3 always ON), the following can be configured: **See pp. 9-10.**  
 -With button 'P1', operating mode of card reader illumination.  
 -With button 'P2', operating mode of door panel illumination LEDs with low light.

(\*) **Factory setting.**

**INSTALLATION OF THE DOOR PANEL**

**Description of the configuration jumper:**

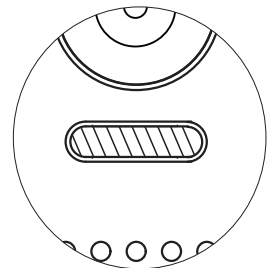
**Important:** Do not change the configuration jumper's factory position.



(\*) Factory setting.

**Description of the door panel illumination LEDs (for low light conditions):**

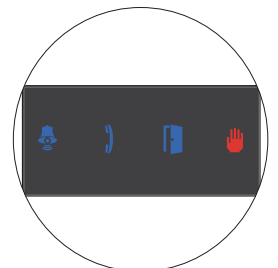
The door panel lighting LEDs will turn on during a call if the door panel lighting at that moment is low. This enables the user to view the person who has called from the apartment monitor.



**Description of the visual signals on the door panel:**

Visual signals on the door panel for people with impaired hearing, indicating:

- In call: LED '🔔' will illuminate during in call and in communication times.
- \*- In communication: LED '🗨️' will illuminate during the communication process.
- When the door is open: LED '🚪' will illuminate when the door is open.
- When ending communication: LEDs '🔔' and '🗨️' will turn off.
- With more than one door panel, when calling and one is already in communication: LED '👋' will illuminate for 10 seconds.
- In call and the monitor is in 'Do not disturb' mode: No LED will illuminate, the door panel will emit a quick tone.
- In call (apartment without monitor or telephone): No LED will illuminate, the door panel will emit 3 quick tones.



\* **Note:** Communication in auto switch-on mode does not occupy the channel and the door panel communication LED does not illuminate.

**Setting the door panel communication volume:**

If the audio volume of the door panel is too low after turning it on, follow these steps:

- Call the apartment.
- The call is received in the apartment. Establish communication by pressing option 🗨️ on the screen of the master monitor or the Golmar logo on the front of any slave monitor in the apartment.
- Then press the button used to call the apartment for 3 seconds until a number of confirmation tones are heard and door panel communication LED 🗨️ starts to blink.
- Each press on the call button will increase the door panel volume and blink speed of the LED.  
There are 5 volume settings and the blink speed of LED 🗨️ will increase for each. Slow to fast blink - low to high volume. After reaching setting 5, maximum blink speed and volume, the next setting is 1, minimum blink speed and volume (carousel mode).
- To save the volume setting, keep the button pressed until a number of confirmation tones are heard and the door panel communication LED 🗨️ turns on.




**INSTALLATION OF THE DOOR PANEL**

**Setting ringtone operating mode:**


To configure the door panel ringtone when making a call, follow these steps: **See p. 7.**

- In the configuration DIP switch, set DIP 1 and DIP 2 to OFF and DIP 3 to ON.
- The card reader illumination will blink slowly.
- Then with the P1 call button, each press selects a different option and in carousel mode:



If pressed once: Configure the door panel with one ringtone.

LED  illuminates and the door panel emits a long tone.

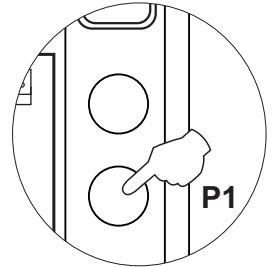
If pressed a 2nd time: Configure the door panel to hear tones during the call process.

LED  illuminates and the door panel emits two short tones.

If pressed a 3rd time: Configure the door panel without a ringtone (factory setting).

LEDs  and  illuminate and the door panel emits three short tones.

- Once the required option is selected, stop pressing P1. Then set DIP 3 to OFF and the door panel will exit configuration, saving the selected option. **Note:** Remember to configure the address of the door panel.




**Setting door panel mode with or without shield installed:**

To configure the door panel with or without shield installed, follow these steps: **See p. 7.**

- In the configuration DIP switch, set DIP 1 and DIP 2 to OFF and DIP 3 to ON.
- The card reader illumination will blink slowly.
- Then with the P2 call button, each press selects a different option and in carousel mode:

If pressed once: Configure the door panel with shield installed (factory setting).

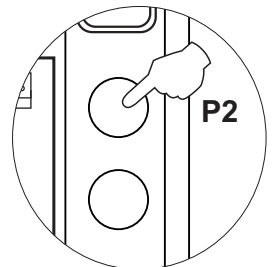
LED  illuminates and the door panel emits a long tone.

If pressed a 2nd time: Configure the door panel without shield installed.

LED  illuminates and the door panel emits two short tones.

- Once the required option is selected, stop pressing P2. Then set DIP 3 to OFF and the door panel will exit configuration, saving the selected option.

**Note:** Remember to configure the address of the door panel.




**Setting contact mode for CV- and CV+ (lock release) and C1 and NA1 (auxiliary device):**

To change the contact mode for lock release and auxiliary device activation, follow these steps: **See p. 7.**

- In the configuration DIP switch, set DIP 1 to ON, DIP 2 to OFF and DIP 3 to ON.
- The card reader illumination will blink slowly.
- Then with the P1 call button, each press selects a different option and in carousel mode:

If pressed once: Configure the door panel with contact mode N.A. (factory setting).

LED  illuminates and the door panel emits a long tone.

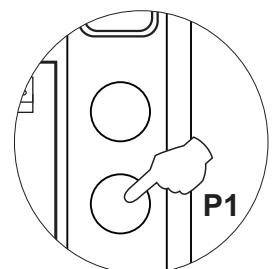
If pressed a 2nd time: Configure the door panel with contact mode N.C.

LED  illuminates and the door panel emits two short tones.

- Once the desired option is selected, set DIP 3 to OFF and the door panel will exit configuration, saving the selected option.

**Note:** Remember to configure the address of the door panel.


**Important:** The type of contact selected will be for both the lock release and the auxiliary device.

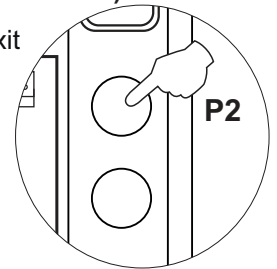


**INSTALLATION OF THE DOOR PANEL**

**Setting the activation time for CV- and CV+ (lock release) and C1 and NA1 (auxiliary device):**

To change the activation time for the lock release and auxiliary device, follow these steps: **See p. 7.**

- In the configuration DIP switch, set DIP 1 to ON, DIP 2 to OFF and DIP 3 to ON.
- The card reader illumination will blink slowly.
- Then press and hold down call button P2; LED  will blink indicating with each blink 1 second and also a tone will indicate every time it is heard 1 second for the activation time. **Note: (From 1 to 99 seconds).**
- Once the desired activation time is configured, set DIP 3 to OFF and the door panel will exit configuration, saving the setting.



**Note:** Remember to configure the address of the door panel.


**Important:** The time configured will be for both the lock release and the auxiliary device.

**Setting card reader illumination operating mode:**

To configure the card reader illumination operating mode, follow these steps: **See p. 7.**

- In the configuration DIP switch, set DIP 1 to OFF, DIP 2 to ON and DIP 3 to ON.
- The card reader illumination will blink slowly.
- Then with the P1 call button, each press selects a different option and in carousel mode:



If pressed once: Card reader always illuminated (factory setting).

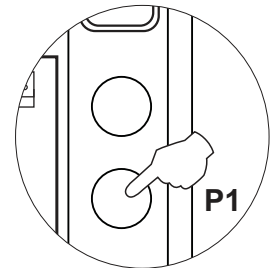
LED  illuminates and the door panel emits a long tone.

If pressed a 2nd time: Card reader always off.

LED  illuminates and the door panel emits two short tones.

If pressed a 3rd time: The card reader automatically turns on or off depending on the ambient light (day/night mode).

LEDs  and  illuminate and the door panel emits three short tones.




- Once the required option is selected, stop pressing P1. Then set DIP 3 to OFF and the door panel will exit configuration, saving the selected option. **Note:** Remember to configure the address of the door panel.

**Setting door panel illumination LED operating mode:**

To configure the door panel illumination LED operating mode, follow these steps: **See p. 7.**

- In the configuration DIP switch, set DIP 1 to OFF, DIP 2 to ON and DIP 3 to ON.
- The card reader illumination will blink slowly.
- Then with the P2 call button, each press selects a different option and in carousel mode:



If pressed once: Illumination LEDs always activate when a call is made from the door panel.

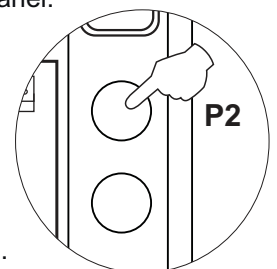
LED  illuminates and the door panel emits a long tone.

If pressed a 2nd time: Illumination LEDs always off.

LED  illuminates and the door panel emits two short tones.

If pressed a 3rd time: Illumination LEDs activate when a call is made and door panel illumination at that moment is low (factory setting).

LEDs  and  illuminate and the door panel emits three short tones.



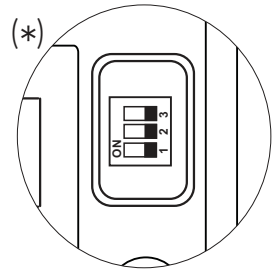
- Once the required option is selected, stop pressing P2. Then set DIP 3 to OFF and the door panel will exit configuration, saving the selected option. **Note:** Remember to configure the address of the door panel.

**INSTALLATION OF THE DOOR PANEL**

**Setting the door panel address:**

Configure door panel addresses as described below:

The DIP switch is located on the right side of the circuit, accessible by opening the door panel.



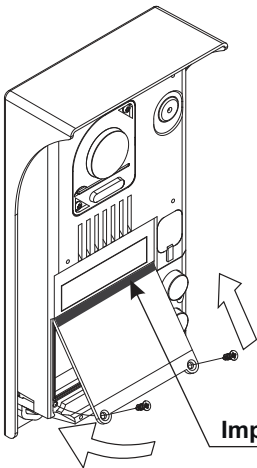
- (\*) 

ON			
1	2	3	

 Door panel address: (DIP 3 always OFF).  
 DIP switches: 1 and 2 OFF (address 1), 1 ON and 2 OFF (address 2), 1 OFF and 2 ON (address 3), 1 and 2 ON (address 4).

**Important:** To select the address of the door panel (DIP 3 must always be OFF):

**Positioning the nameplate label:**



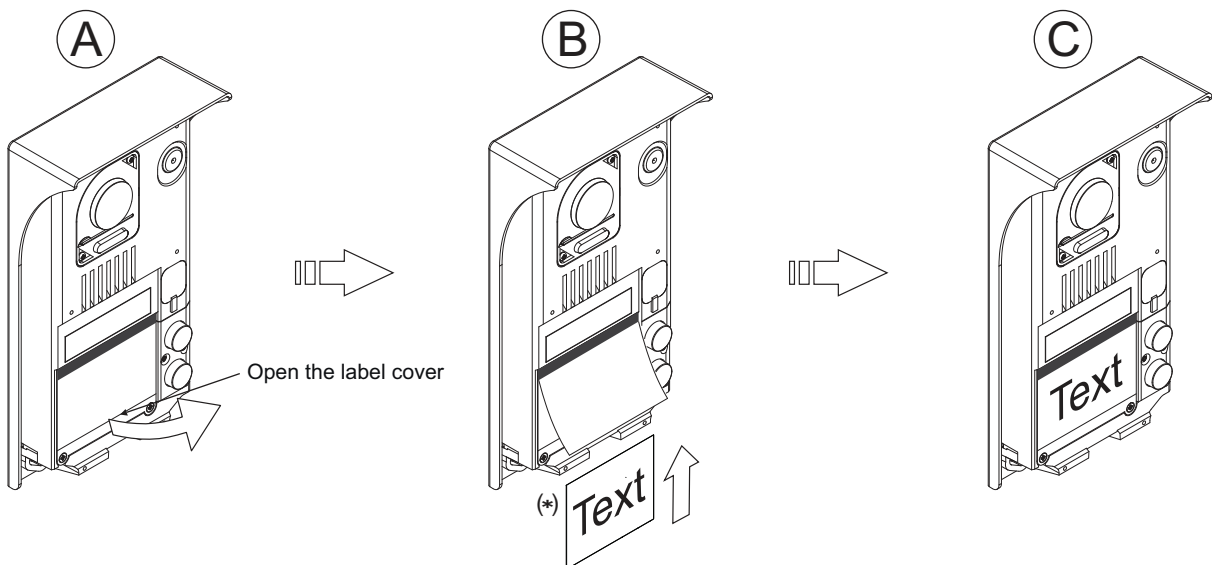
After completing the wiring and configuration work, position the nameplate label in the electronic module. Fix using the screws supplied.

**Important:** Before closing the nameplate label, make a test call to the apartment(s) to ensure that it works correctly.

**Important:** Position the nameplate label at the top with the black band visible.

**Positioning the button identification labels:**

Open the label cover (figure A), insert the label (figure B) and close (figure C).



(\*)Customise and download the 'JAZZ LABELLER KIT REV.0117' label from Golmar's documentation website: <https://doc.golmar.es/search/manual/50180198>



## INSTALLATION OF THE DOOR PANEL

### Managing the access keys:

The kit enables activation of the video door entry system's lock release with proximity access keys (without placing a call). Supplied with the product are 1 Master Card ADD key, 1 Master Card DELETE key and 5 residents access keys (factory assigned to the door panel), see 'Description of the proximity access key kit' on p. 5).



### Adding access keys:

To add residents' access keys for activation of the lock release connected to terminals 'CV-' and 'CV+' of the door panel, follow these steps:

- Hold the Master Card ADD key to the proximity reader, it will emit a long and short confirmation tone and LED  on the door panel will turn on.
- One by one, hold all of the keys to be added to the door panel to the proximity reader. The door panel will emit a long tone each time it stores an access key or two short tones if the key has already been stored.
- Once all of the access keys are added, complete the process by holding the Master Card ADD key to the proximity reader. It will emit a short and long confirmation tone and LED  will turn off.





### Deleting access keys:

To delete residents' access keys, follow these steps:

- Hold the Master Card DELETE key to the proximity reader, it will emit a long and short confirmation tone and LED  on the door panel will turn on.
- One by one, hold all of the keys to be deleted from the door panel to the proximity reader. The door panel will emit a long tone each time it deletes an access key or two short tones if the key does not exist on the door panel.
- Once all of the access keys are deleted, complete the process by holding the Master Card DELETE key to the proximity reader. It will emit a short and long confirmation tone and LED  will turn off.

### Deleting all access keys:

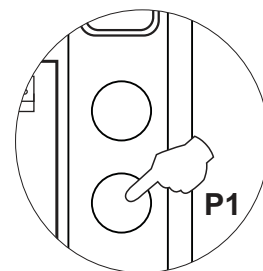
To delete all residents' access keys, follow these steps:




- Hold the Master Card DELETE key to the proximity reader, it will emit a long and short confirmation tone and LED  on the door panel will turn on.
- Then hold the Master Card ADD key to the proximity reader, it will emit a long and short confirmation tone and LED  on the door panel will illuminate indicating that it is in 'Delete All Keys' mode.
- Finally, hold the Master Card ADD key again to the proximity reader to confirm deletion of all of the residents' keys from the door panel. During the deletion process, LEDs  and  will blink. Once the deletion process is complete, they will turn off.

### Activating new MASTER CARD keys on the door panel:

To activate new Master Card ADD and DELETE keys on the door panel, follow these steps:

- Disconnect the door panel's power supply.
- In the configuration DIP switch (see p. 7), set DIP 1, DIP 2 and DIP 3 to ON.
- Press call button P1.
- Keep call button P1 pressed and, without releasing it, turn on the power.
- The card reader illumination will blink slowly.

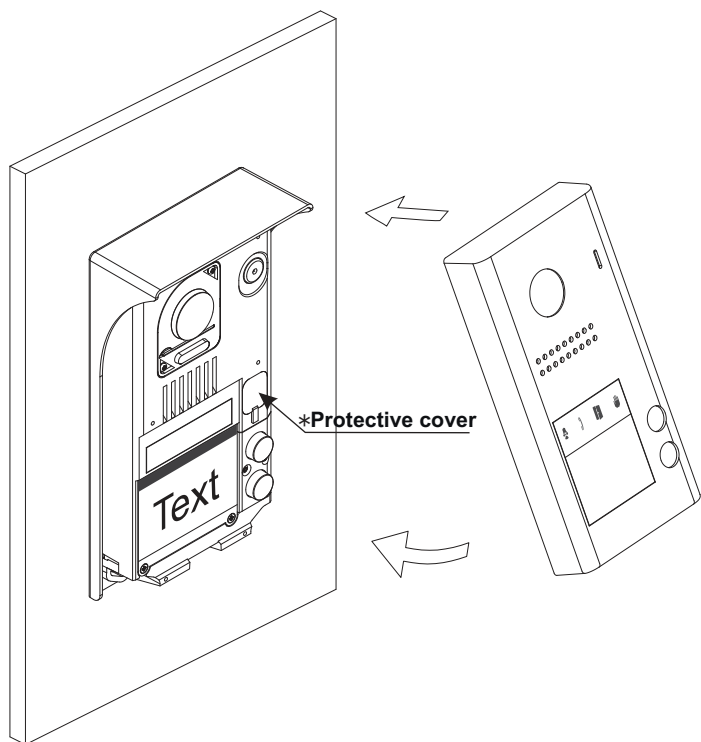


- In the configuration DIP switch (see p. 7), set DIP 1 and DIP 2 to OFF.
- Then press call button P1, a confirmation tone will be emitted and LED  will blink once. **You then have 10 seconds to perform the following step.**
- Hold the Master Card ADD key to the proximity reader. Once stored, two confirmation tones will be emitted and LED  on the door panel will blink twice.
- Then hold the Master Card DELETE key to the proximity reader. Once stored, three confirmation tones will be emitted and LED  on the door panel will blink three times.
- Once the new Master Card ADD and DELETE keys have been activated, set DIP 3 to OFF and the door panel will exit configuration, saving the setting.

**Note:** A door panel can only have one Master Card ADD and one Master Card DELETE key. If new Master Card keys are activated on the door panel (for example, due to loss), the previous Master Card keys will be deleted. The same Master Card keys can be activated on other access panels installed.

INSTALLATION OF THE DOOR PANEL

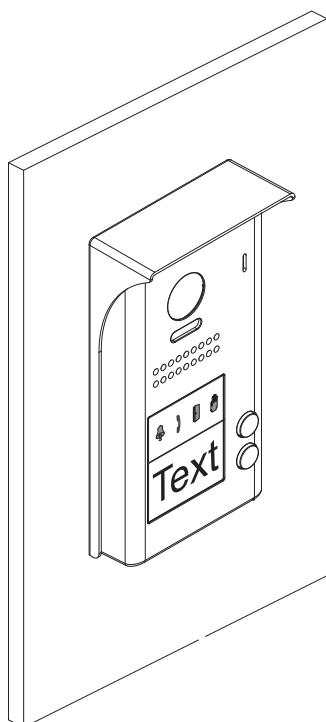
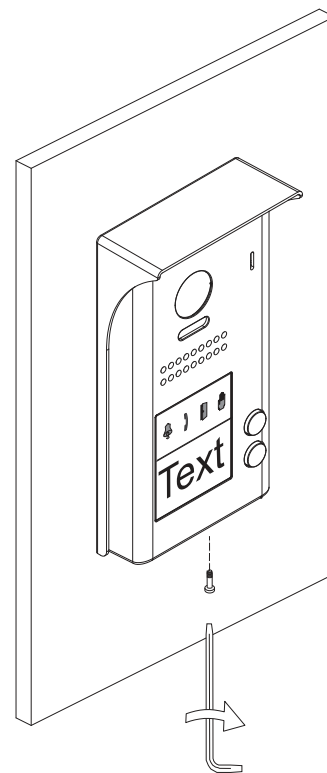
Closing the door panel:



To finish the mounting of the door panel, replace the metal front.

\***Note:** Replace the DIP switch's protective silicone cover.

Fix the metal front with the screw using the Allen key supplied with the product, as shown in the drawing.



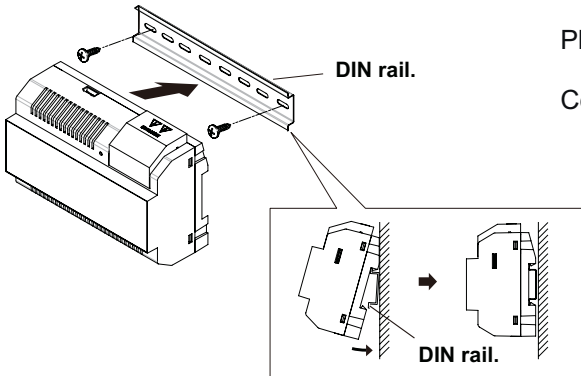
Once work is complete:

- Make a test call to the house(s) to check it works correctly.
- Hold an access key to the proximity reader to check it works correctly.

**INSTALLATION OF THE POWER SUPPLY UNIT**

**Installing the FA-GB2/A power supply unit:**

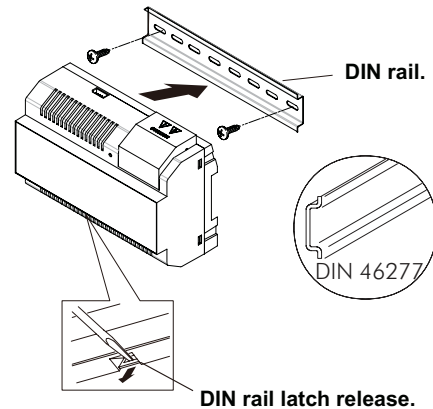
Install the power supply unit in a dry protected location free from the risk of dripping or splashing water. To prevent electric shock, do not remove the protective cover of the primary or handle the wiring. The fitting and handling of this device must be carried out by **authorised personnel** in the absence of electrical current. To avoid damage, the power supply unit must be firmly secured in place.



Please note that current regulations stipulate that the power supply must be protected by a circuit breaker. Connect the FA-GB2/A power supply unit to the earth connection.

Mount the DIN rail to the wall with the plugs and screws supplied. Then attach the power supply by applying slight pressure.

The power supply can be installed on a DIN 46277 rail. To remove the power supply unit from the DIN rail, use a flat screwdriver to lever it off, as shown in the drawing. The FA-GB2/A model requires 8 elements on the rail.



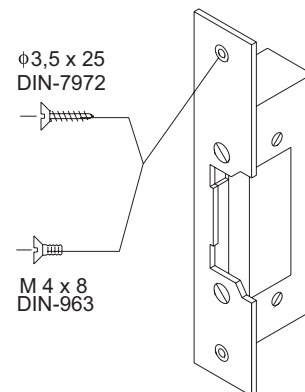
**IMPORTANT:** the maximum number of units that can be connected to an FA-GB2/A power supply is 4 PENTHA GB2 monitors.

**Replace the protective cover once the input terminals have been wired.**

**INSTALLATION OF THE LOCK RELEASE**

**Installing the lock release:**

If the lock release is to be fitted to a metal door, use a Ø3.5mm drill bit and thread the hole made. For wooden doors, use a Ø3mm drill bit.



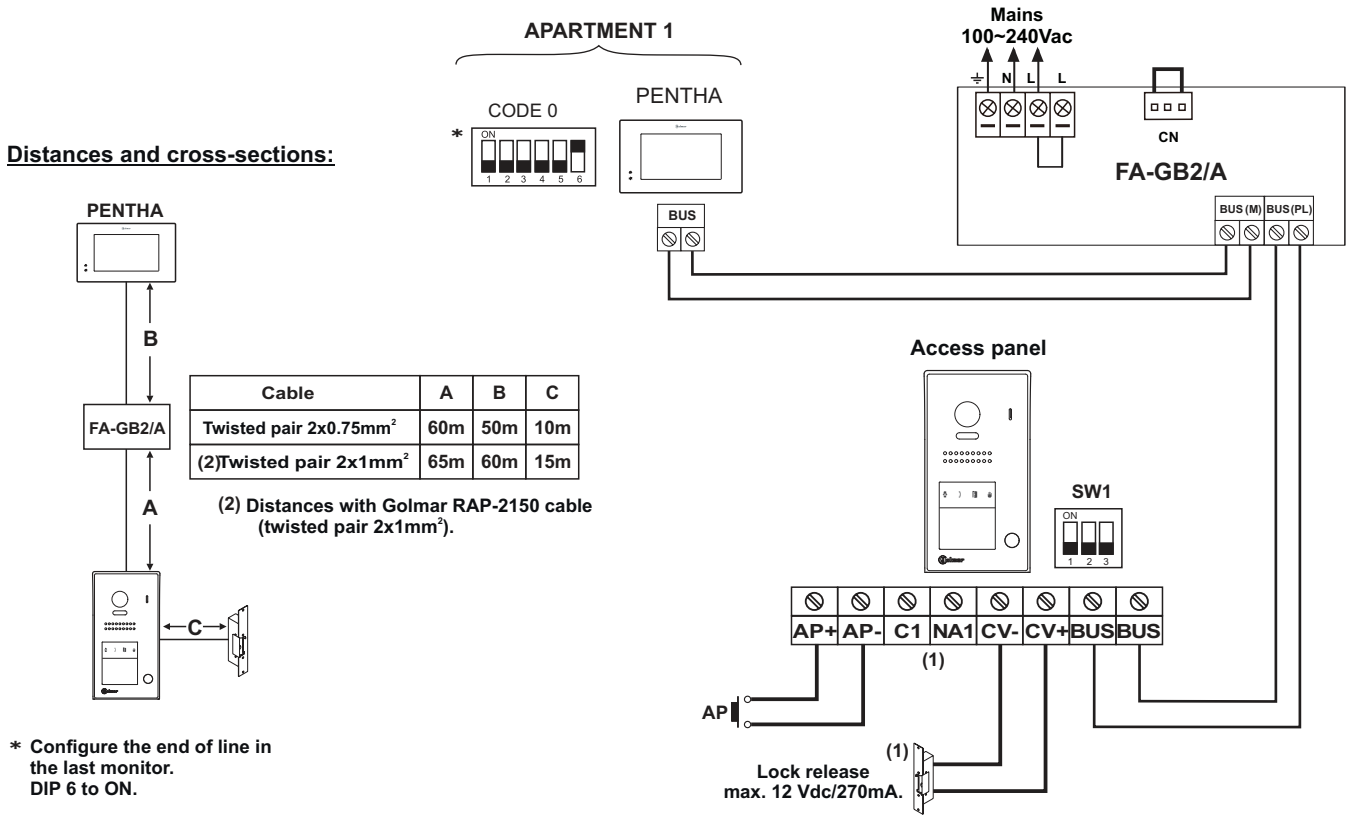
**IMPORTANT:**

- The lock release must be 12V DC or AC (Golmar). (See p. 22 for AC lock release and pp. 15-22 for DC lock release).
- The kit is supplied with two varistors. If connecting an AC lock release to one of the outputs, fit the varistor supplied directly to the lock release terminals to ensure the device functions correctly.

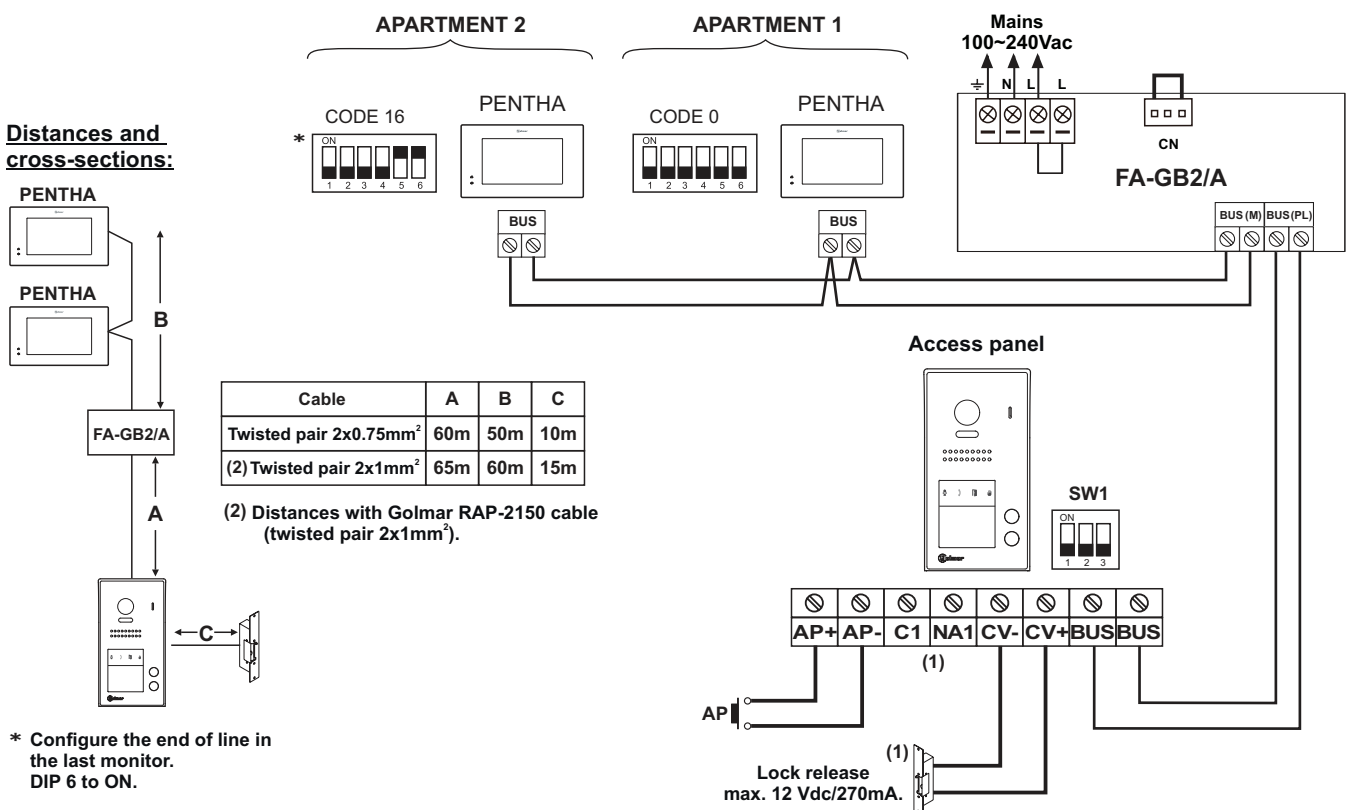


WIRING DIAGRAMS:

One-apartment installation with PENTHA monitor and Golmar DC lock release.



Two-apartment installation with 1 PENTHA monitor per house and Golmar DC lock release.

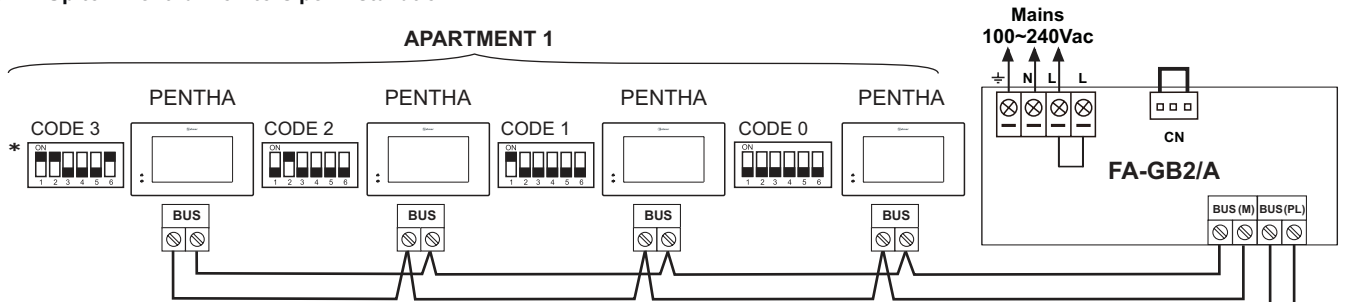


(1) Important: For AC lock release, 2nd AC lock release or automatic gate, see wiring diagrams p. 22.

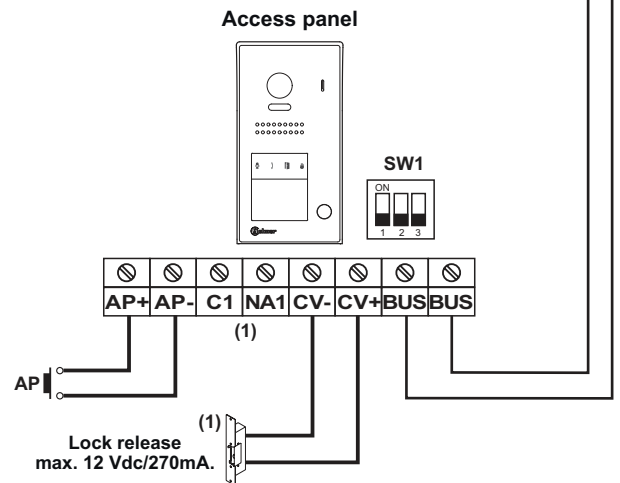
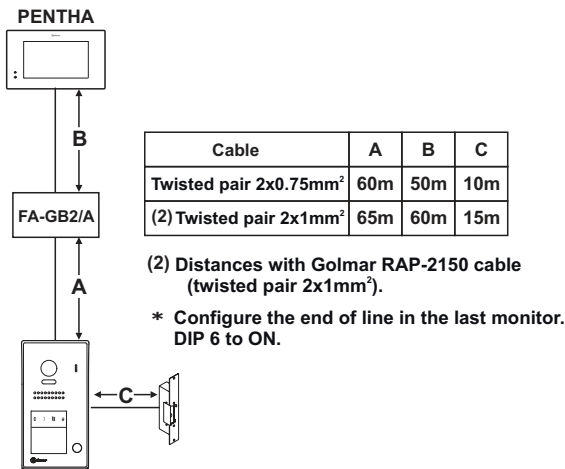
WIRING DIAGRAMS:

**One-apartment installation with 4 PENTHA monitors in parallel (In-Out) and Golmar DC lock release.**

NOTE: Up to 4 Pentha monitors per installation.

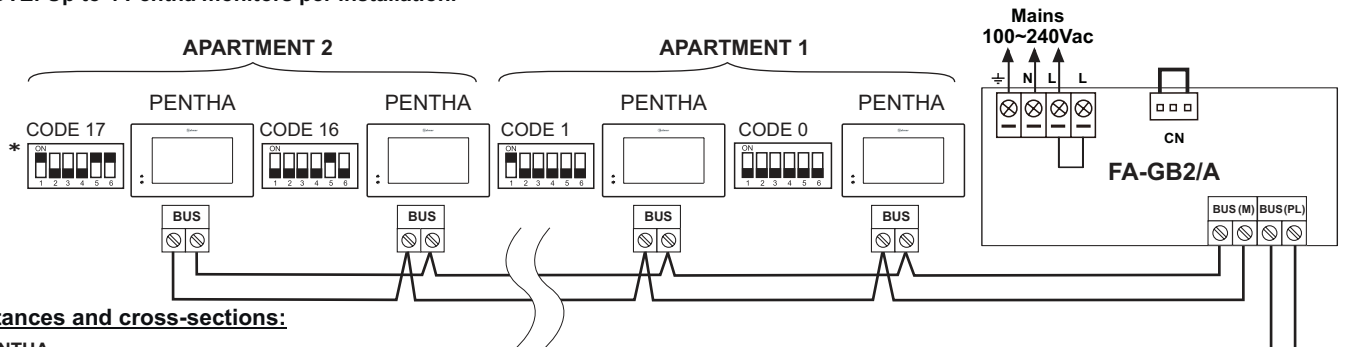


**Distances and cross-sections:**

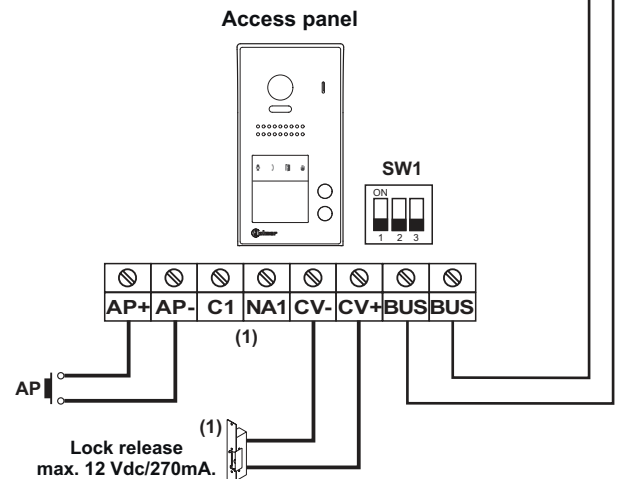
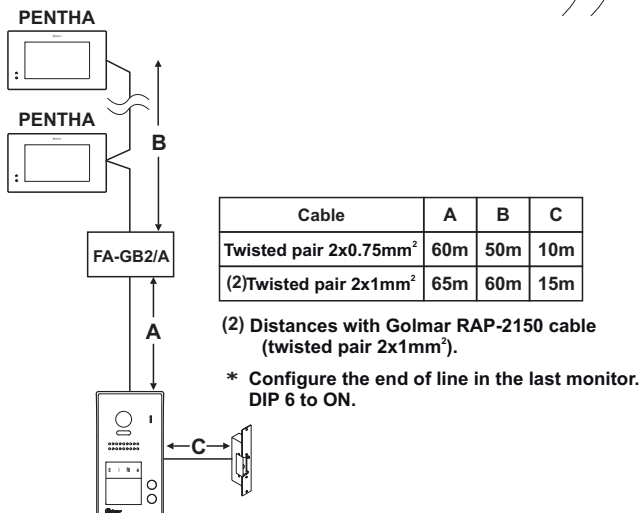


**Instalación de dos viviendas con 4 monitores PENTHA en paralelo (In-Out) y abrepuertas de continua Golmar.**

NOTE: Up to 4 Pentha monitors per installation.



**Distances and cross-sections:**

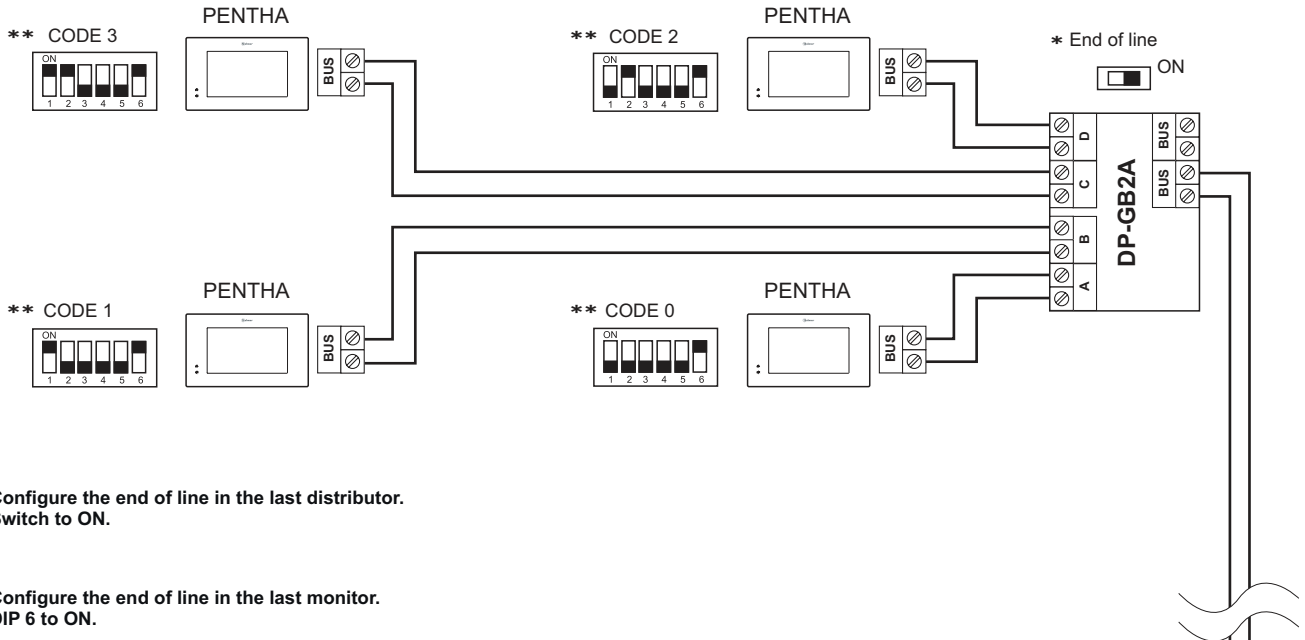


(1) Important: For AC lock release, 2nd AC lock release or automatic gate, see wiring diagrams p. 22.

**WIRING DIAGRAMS:**

**One apartment with 4 PENTHA monitors, 1 DP-GB2A distributor and Golmar DC lock release.**

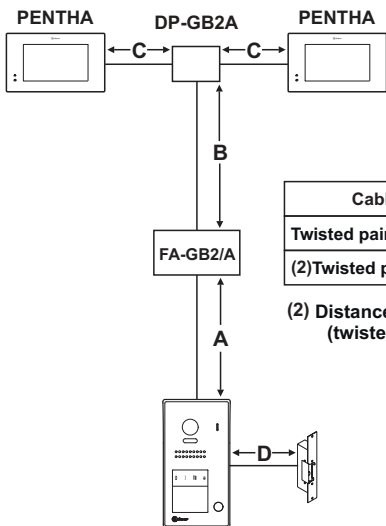
NOTE: Up to 4 Pentha monitors per installation.



\* Configure the end of line in the last distributor. Switch to ON.

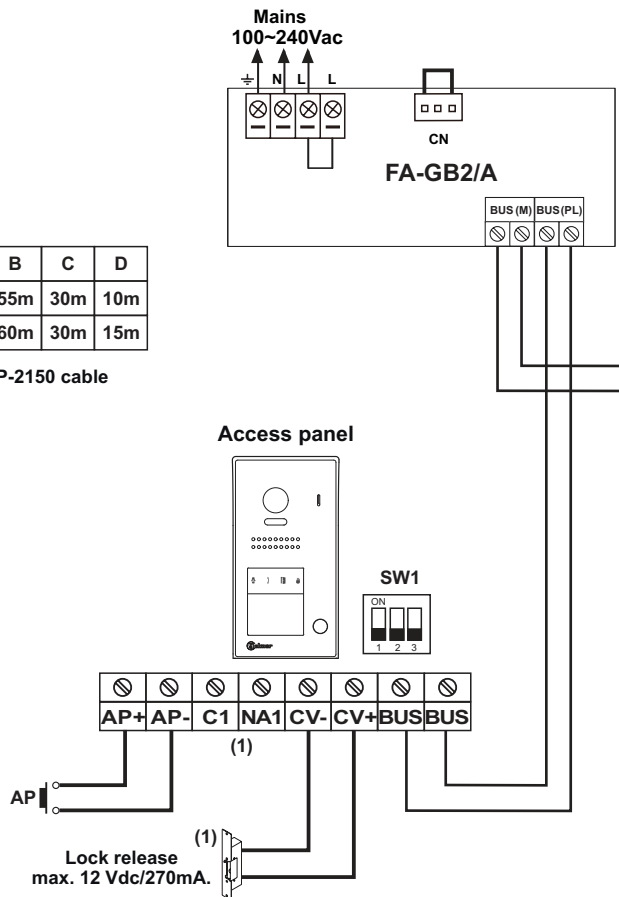
\*\* Configure the end of line in the last monitor. DIP 6 to ON.

**Distances and cross-sections:**



Cable	A	B	C	D
Twisted pair 2x0.75mm <sup>2</sup>	60m	55m	30m	10m
(2) Twisted pair 2x1mm <sup>2</sup>	65m	60m	30m	15m

(2) Distances with Golmar RAP-2150 cable (twisted pair 2x1mm<sup>2</sup>).

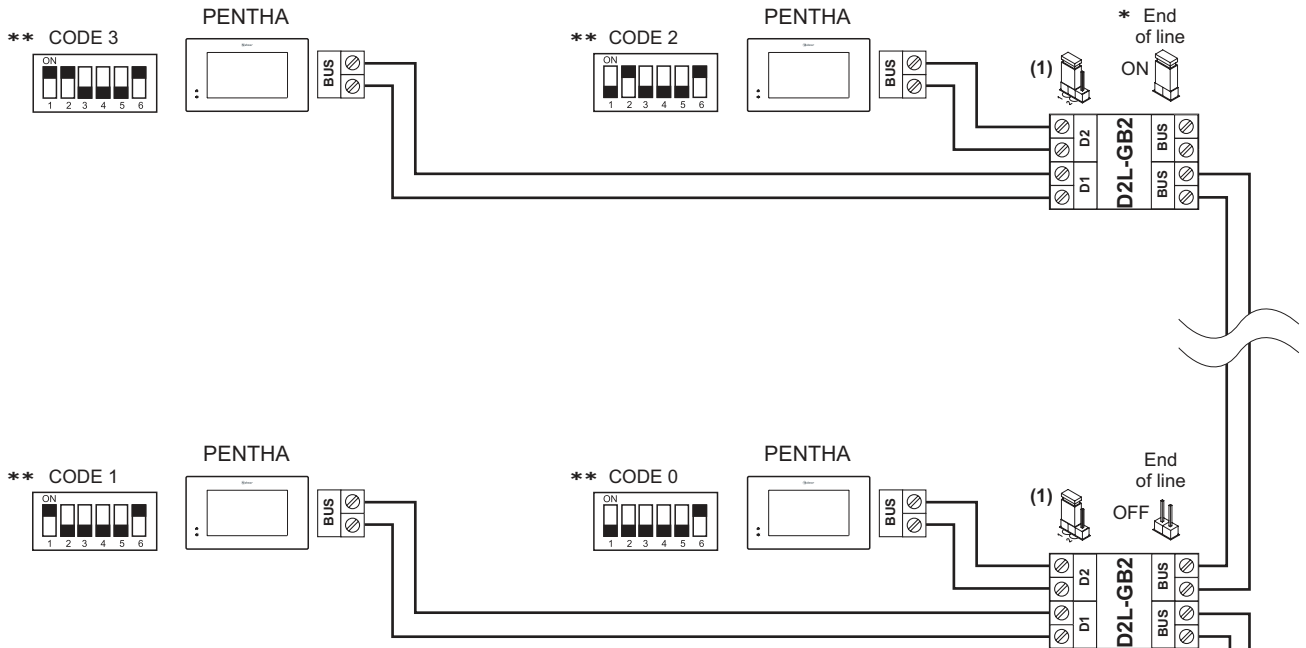


(1) Important: For AC lock release, 2nd AC lock release or automatic gate, see wiring diagrams p. 22.

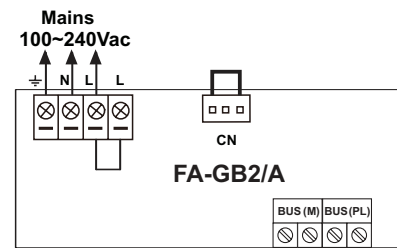
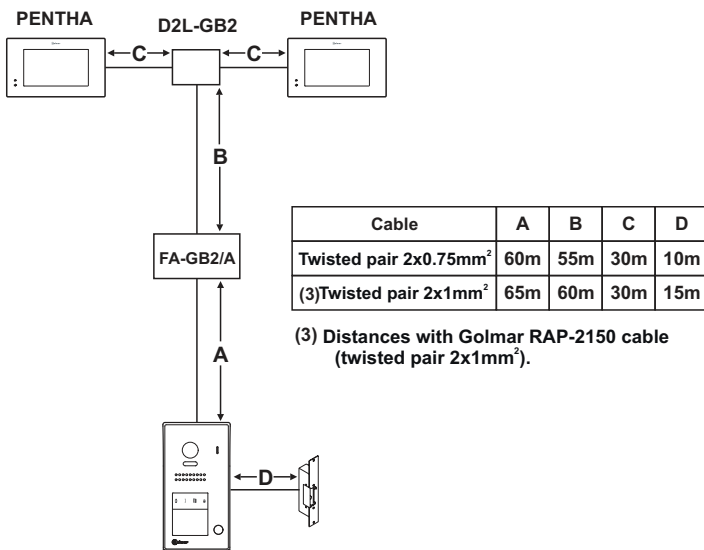
WIRING DIAGRAMS:

***One apartment with 4 PENTHA monitors, 2 D2L-GB2 distributors and Golmar DC lock release.***

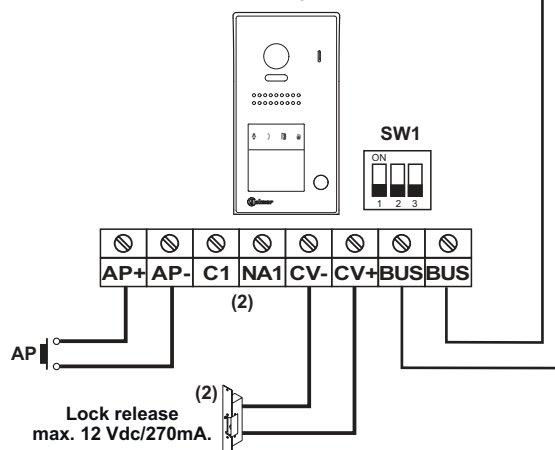
NOTE: Up to 4 PENTHA monitors per installation.



**Distances and cross-sections:**



**Access panel**



(1) Set the jumper in this position for 7" GB2 monitors of all of the D2L-GB2 distributors.

\* Remove the jumper from all of the distributors except the last.

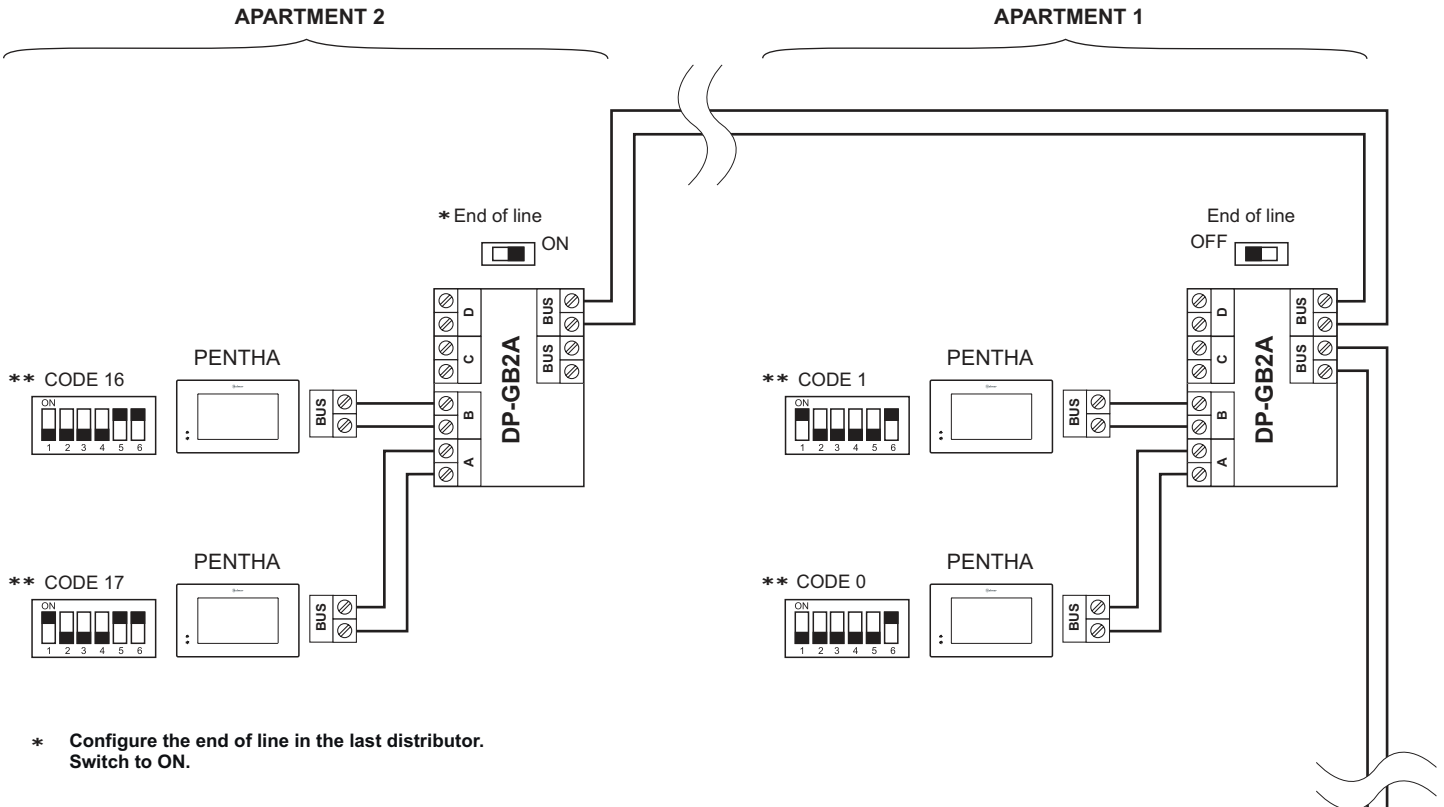
\*\* Configure the end of line in the last monitor. DIP 6 to ON.

(2) Important: For AC lock release, 2nd AC lock release or automatic gate, see wiring diagrams p. 22.

WIRING DIAGRAMS:

***Two apartments with 4 PENTHA monitors, 2 DP-GB2A distributors and Golmar DC lock release.***

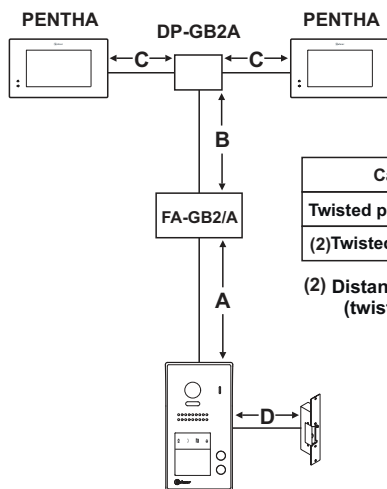
NOTE: Up to 4 Pentha monitors per installation.



\* Configure the end of line in the last distributor. Switch to ON.

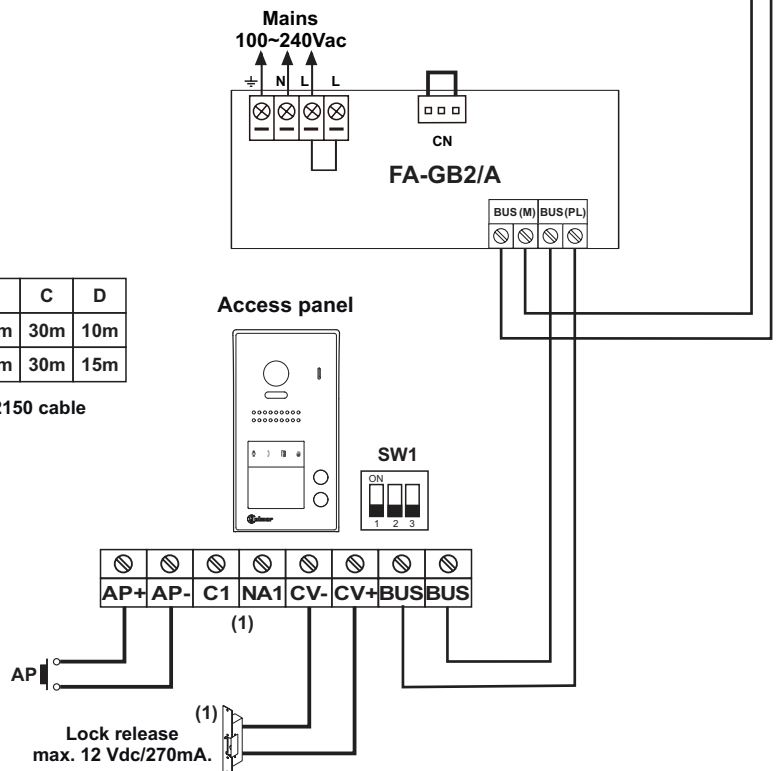
\*\* Configure the end of line in the last monitor. DIP 6 to ON.

**Distances and cross-sections:**



Cable	A	B	C	D
Twisted pair 2x0.75mm <sup>2</sup>	60m	55m	30m	10m
(2) Twisted pair 2x1mm <sup>2</sup>	65m	60m	30m	15m

(2) Distances with Golmar RAP-2150 cable (twisted pair 2x1mm<sup>2</sup>).

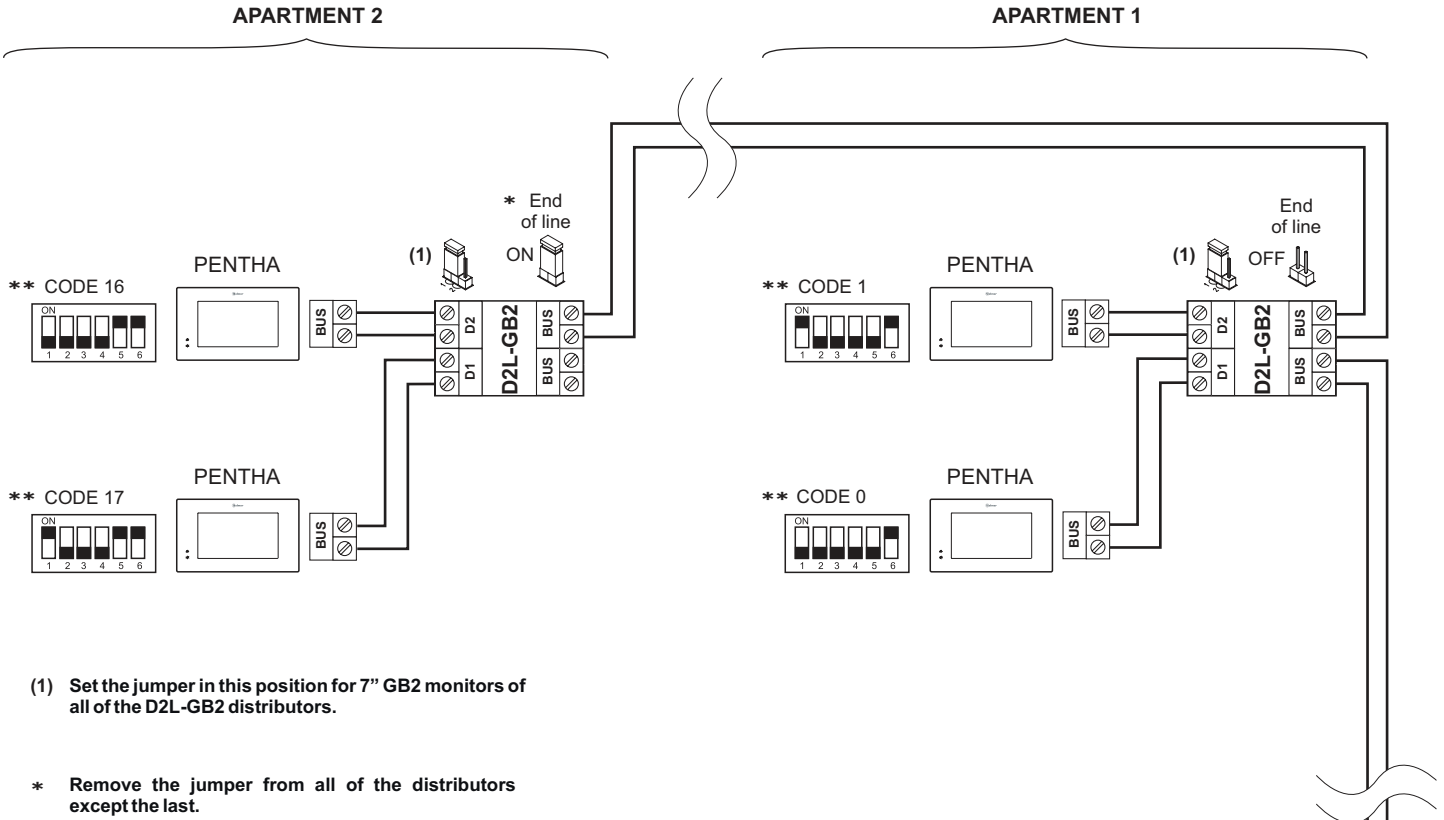


(1) Important: For AC lock release, 2nd AC lock release or automatic gate, see wiring diagrams p. 22.

WIRING DIAGRAMS:

**Two apartments with 4 PENTHA monitors, 2 D2L-GB2 distributors and Golmar DC lock release.**

NOTE: Up to 4 Pentha monitors per installation.

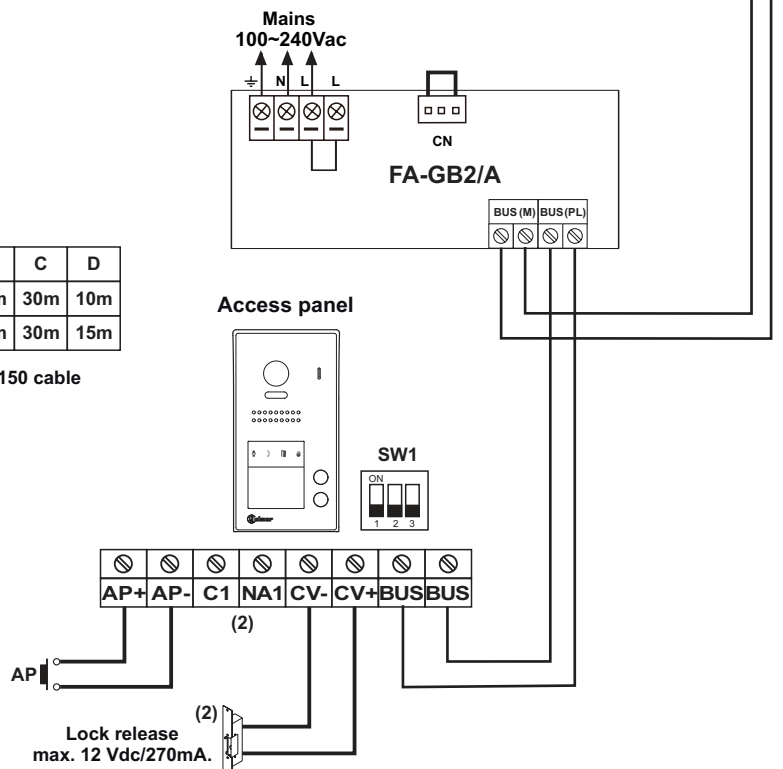
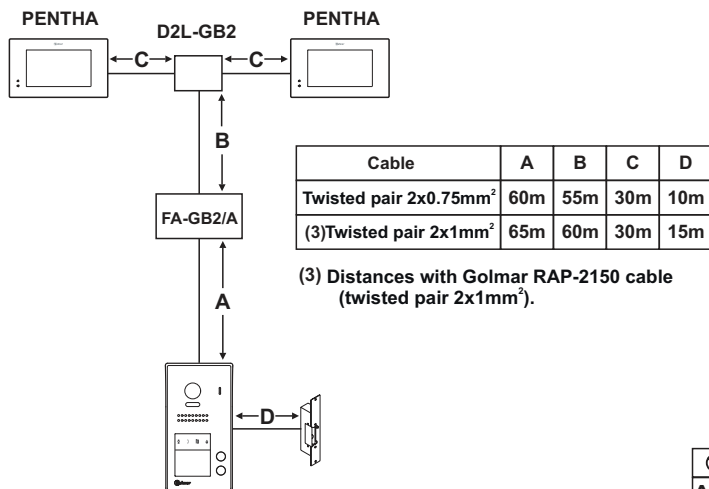


(1) Set the jumper in this position for 7" GB2 monitors of all of the D2L-GB2 distributors.

\* Remove the jumper from all of the distributors except the last.

\*\* Configure the end of line in the last monitor. DIP 6 to ON.

**Distances and cross-sections:**

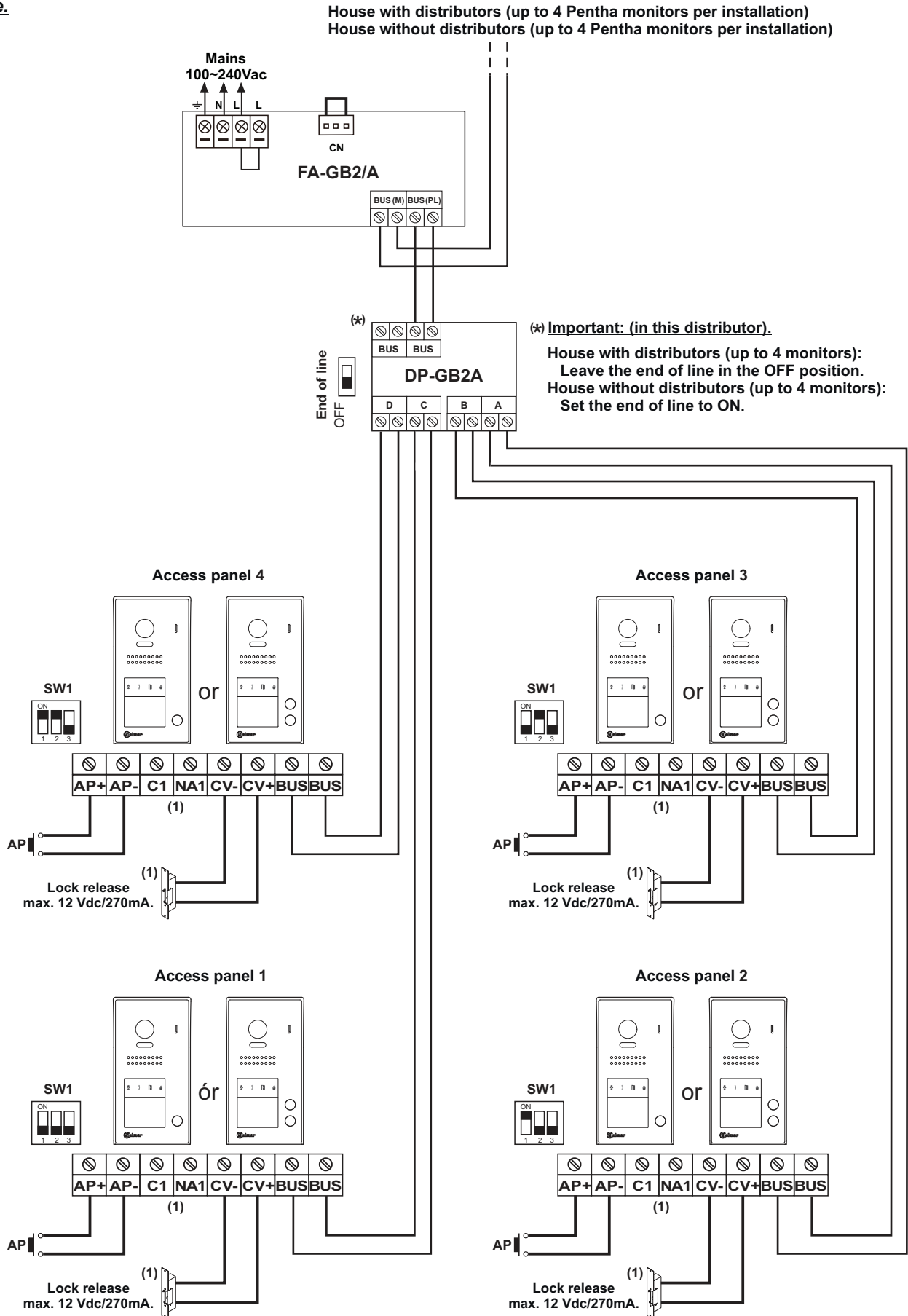


(2) Important: For AC lock release, 2nd AC lock release or automatic gate, see wiring diagrams p. 22.



WIRING DIAGRAMS:

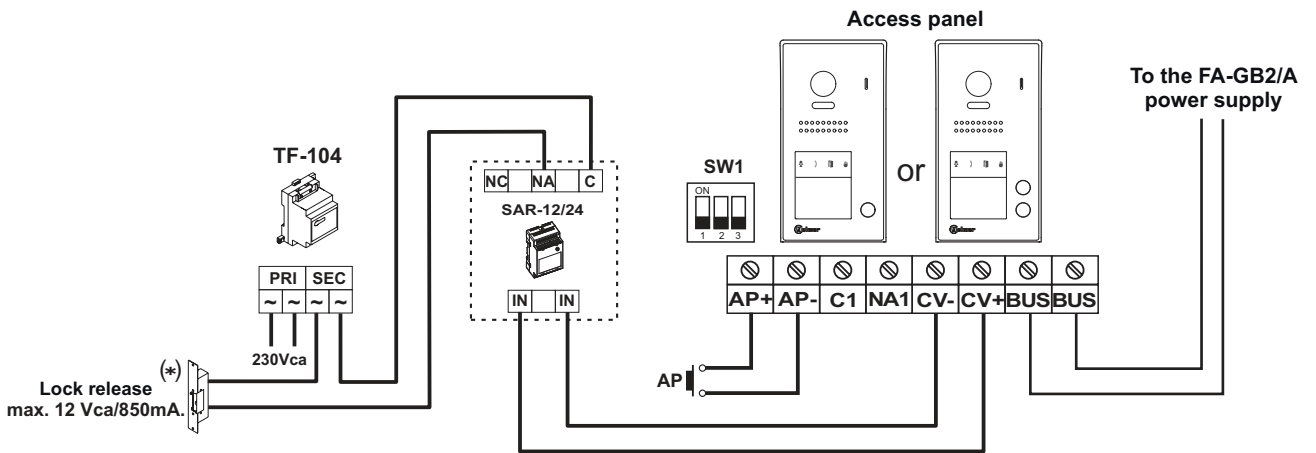
Video door entry system with 4 access panels, DP-GB2A distributor for door panels and Golmar DC lock release.



(1) Important: For AC lock release, 2nd AC lock release or automatic gate, see wiring diagrams p. 22.

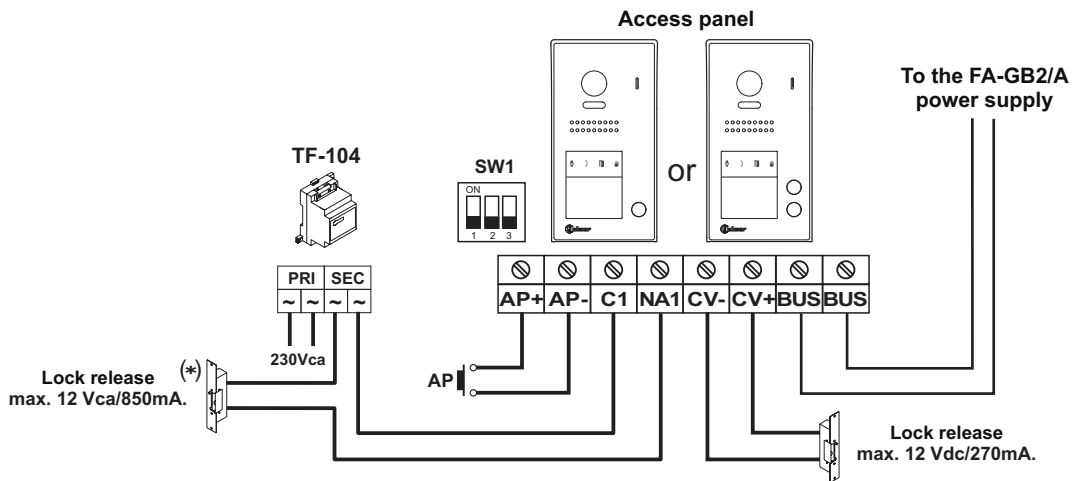
WIRING DIAGRAMS:

Connection of one Golmar AC lock release.



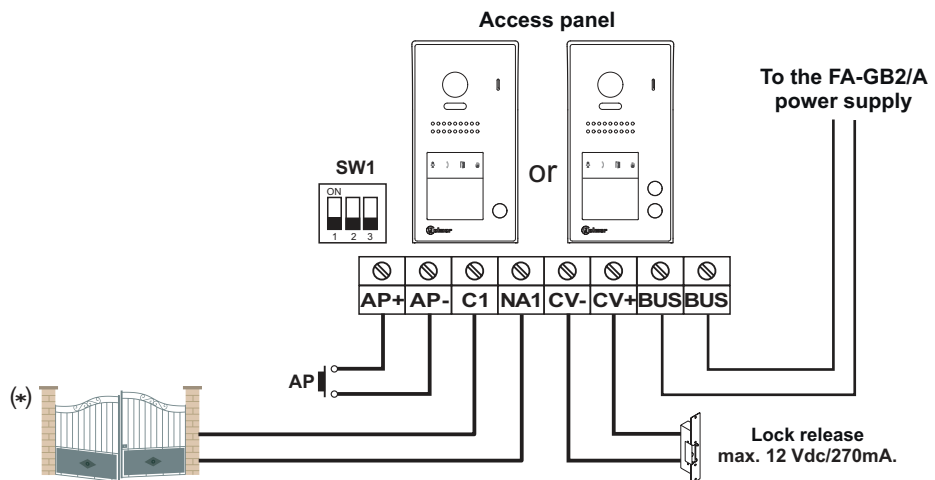
(\*) **Important:** Fit the varistor supplied with the kit directly to the terminals of the lock release.

Connection of 2nd Golmar AC lock release.



(\*) **Important:** Fit the varistor supplied with the kit directly to the terminals of the lock release.

Connection to an automatic gate.



(\*) - To switch voltages higher than 12Vdc/1A between terminals 'C1' and 'NA1' on the door panel, consult our technical support service.  
 - 'C1' and 'NA1' potential-free contact.





golmar@golmar.es  
www.golmar.es

GOLMAR S.A.  
C/ Silici, 13  
08940- Cornellá de Llobregat  
SPAIN



Golmar se reserva el derecho a cualquier modificación sin previo aviso.  
Golmar se réserve le droit de toute modification sans préavis.  
Golmar reserves the right to make any modifications without prior notice.